

CDB5530U Evaluation Board and Software

Features

- ❑ USB Communication with PC
- ❑ On-board Microcontroller
- ❑ On-board Voltage Reference
- ❑ Evaluation Software
 - Register Setup & Chip Control
 - FFT Analysis
 - Time Domain Analysis
 - Noise Histogram Analysis
- ❑ Interface Header for External Microcontroller

General Description

The CDB5530U is an inexpensive tool designed to evaluate the functionality and performance of the CS5530. The CS5530 data sheet should be read and consulted when using the CDB5530U evaluation board.

The evaluation board includes a C8051F320 microcontroller with a USB interface. The microcontroller controls the serial communication between the evaluation board and the PC via the firmware, enabling quick and easy access to all of the CS5530's registers and functions.

The CDB5530U includes software for Data Capture, Time Domain Analysis, Histogram Analysis, and Frequency Domain Analysis.

ORDERING INFORMATION

CDB5530U

Evaluation Board

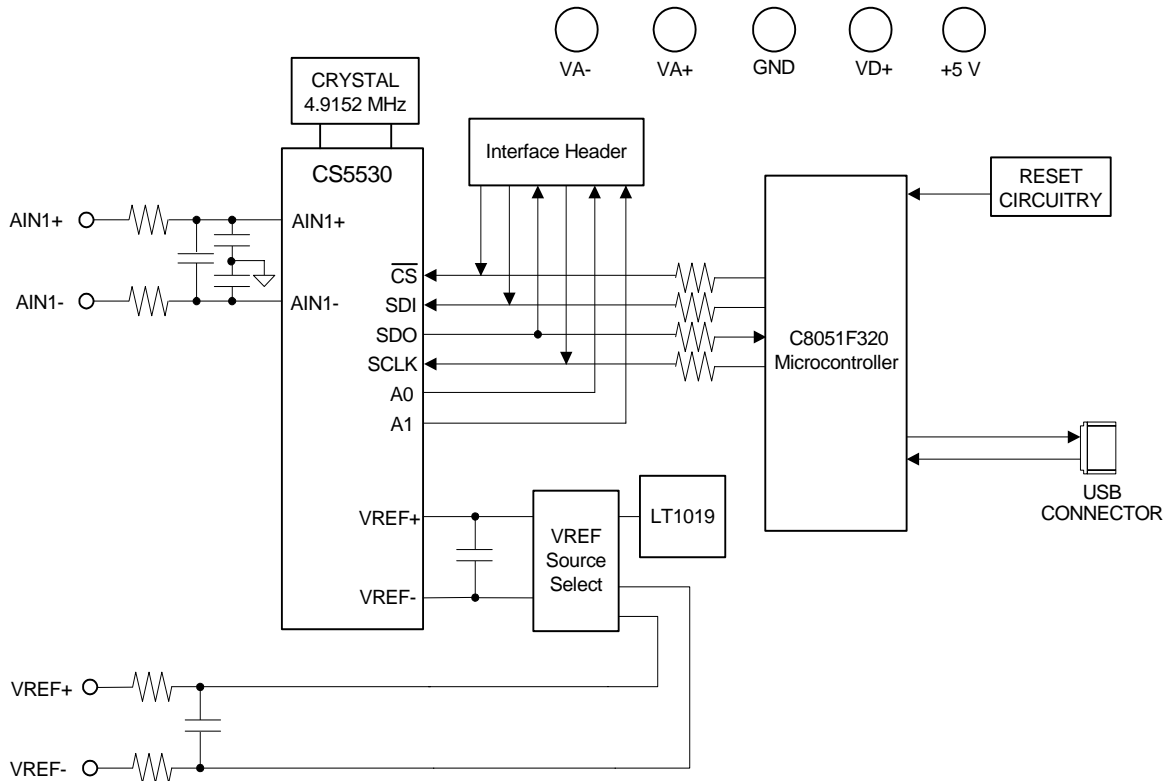


TABLE OF CONTENTS

1. HARDWARE	3
1.1 Introduction	3
1.2 Evaluation Board Overview	3
1.2.1 Analog Section	3
1.2.2 Digital Section	4
1.2.3 Power Supply Section	4
2. SOFTWARE	8
2.1 Installation Procedure	8
2.2 Using the Software	8
2.2.1 Start-Up Window	8
2.2.2 Setup Window	9
2.2.3 Data Collection Window	12
2.2.4 Configuration Window	13
2.3 Collecting Data Sets	14
2.4 Saving and Printing Data	14
2.5 Retrieving Saved Data From a File	14
2.6 Analyzing Data	14
2.7 Histogram Information	15
2.8 Frequency Domain Information	15
2.9 Time Domain Information	15
3. BOARD LAYOUT	16

LIST OF FIGURES

Figure 1. Analog Section	5
Figure 2. Digital Section	6
Figure 3. Power Supply	7
Figure 4. Evaluation Software Start-Up Screen	8
Figure 5. CDB5530U Setup Window	9
Figure 6. CDB5530U Calibration Window	10
Figure 7. CDB5530U Data Collection Window	12
Figure 8. CDB5530U Configuration Window	13
Figure 10. Top Silkscreen	16
Figure 11. Top Side Layout	17
Figure 12. Bottom Silkscreen	18
Figure 13. Bottom Side Layout	19

LIST OF TABLES

Table 1. Voltage Reference Selection for VREF+	4
Table 2. Voltage Reference Selection for VREF-	4

1. HARDWARE

1.1 Introduction

The CDB5530U evaluation board provides a quick means of evaluating the CS5530 Analog-to-Digital Converter (ADC). The CS5530 is a highly integrated $\Delta\Sigma$ ADC which uses charge-balance techniques to achieve 24-bit performance. The CS5530 includes a very low noise chopper-stabilized instrumentation amplifier (12 nV/sqrt(Hz) @ 0.1 Hz) with a fixed gain of 64x. This ADC also includes a fourth-order $\Delta\Sigma$ modulator followed by a digital filter which provides twenty selectable output word rates of 6.25 Hz, 7.5 Hz, 12.5 Hz, 15 Hz, 25 Hz, 30 Hz, 50 Hz, 60 Hz, 100 Hz, 120 Hz, 200 Hz, 240 Hz, 400 Hz, 480 Hz, 800 Hz, 960 Hz, 1.6 kHz, 1.92 kHz, 3.2 kHz and 3.84 kHz (XIN = 4.9152 MHz).

1.2 Evaluation Board Overview

The CDB5530U evaluation board is partitioned into two main sections — analog and digital. The analog section consists of the CS5530 and a precision voltage reference. The digital section consists of the microcontroller, the reset circuitry, and the USB interface. The board also has power supply connections which accommodate all of the various supply options of the CS5530.

The evaluation board's analog section operates from either a single +5 V, dual ± 2.5 V, or dual ± 3 V power supply. The evaluation board interfaces the CS5530 to an IBM® compatible PC with a USB interface. To accomplish this, the board comes equipped with a microcontroller and a USB cable which physically interfaces the evaluation board to the PC. The software provides easy access to the internal registers of the CS5530, and provides a means to display and evaluate the performance of the ADC in the time domain or the frequency domain.

1.2.1 Analog Section

The CS5530 is a high-precision $\Delta\Sigma$ converter designed to accurately measure one fully differential analog voltage input while operating from a 4.9152 MHz crystal.

The evaluation board provides screw terminals labeled AIN1+ & AIN1- to connect input signals to the single input channel. The sensor's output is filtered by a simple RC network at the channel input to reduce any interference picked up by the input leads. The 3 dB corner of the filter is approximately 52 kHz, differential and 56 kHz, common mode. Figure 1 illustrates the schematic of the analog section.

The evaluation board provides three voltage reference options for VREF+ and VREF-. The three reference options for VREF+ include: VA+, the on-board LT1019 voltage reference, and external input (J12). Table 1 illustrates the options available. With the J17 jumper in the VA+ position, the reference is supplied by the VA+ analog supply. With the J17 jumper in the LT1019 position, the LT1019 provides a +2.5 V reference (the LT1019 was chosen for its low drift, typically 5ppm/°C). By setting the J17 jumper to the VREF+ position, the user can supply an external voltage reference to J12's VREF+ input.

The three reference options for VREF- include: VA-, GND, and external input (J12). Table 2 illustrates the options available. With the J18 jumper in the VA- position, the reference is supplied by the VA- analog supply. With the J18 jumper in the GND position, the VREF- pin is connected to the board ground. By setting the J18 jumper to the VREF- position, the user can supply an external voltage reference to J12's VREF- input.

Table 1. Voltage Reference Selection for VREF+

Reference	Description	J17
VA+	Selects Positive Analog Power Supply	VA+ <input checked="" type="radio"/> VREF+ LT1019 <input type="radio"/> VREF+ REF+ <input type="radio"/> VREF+
LT1019	Selects on-Board LT1019 Reference (5ppm/°C)	VA+ <input type="radio"/> VREF+ LT1019 <input checked="" type="radio"/> VREF+ REF+ <input type="radio"/> VREF+
VREF+	Selects External Reference Source (J12)	VA+ <input type="radio"/> VREF+ LT1019 <input type="radio"/> VREF+ REF+ <input checked="" type="radio"/> VREF+

Table 2. Voltage Reference Selection for VREF-

Reference	Description	J18
VA-	Selects Negative Analog Power Supply	VA- <input checked="" type="radio"/> VREF- GND <input type="radio"/> VREF- REF- <input type="radio"/> VREF-
GND	Selects Board Gnd	VA- <input type="radio"/> VREF- GND <input checked="" type="radio"/> VREF- REF- <input type="radio"/> VREF-
VREF-	Selects External Reference Source (J12)	VA- <input type="radio"/> VREF- GND <input type="radio"/> VREF- REF- <input checked="" type="radio"/> VREF-

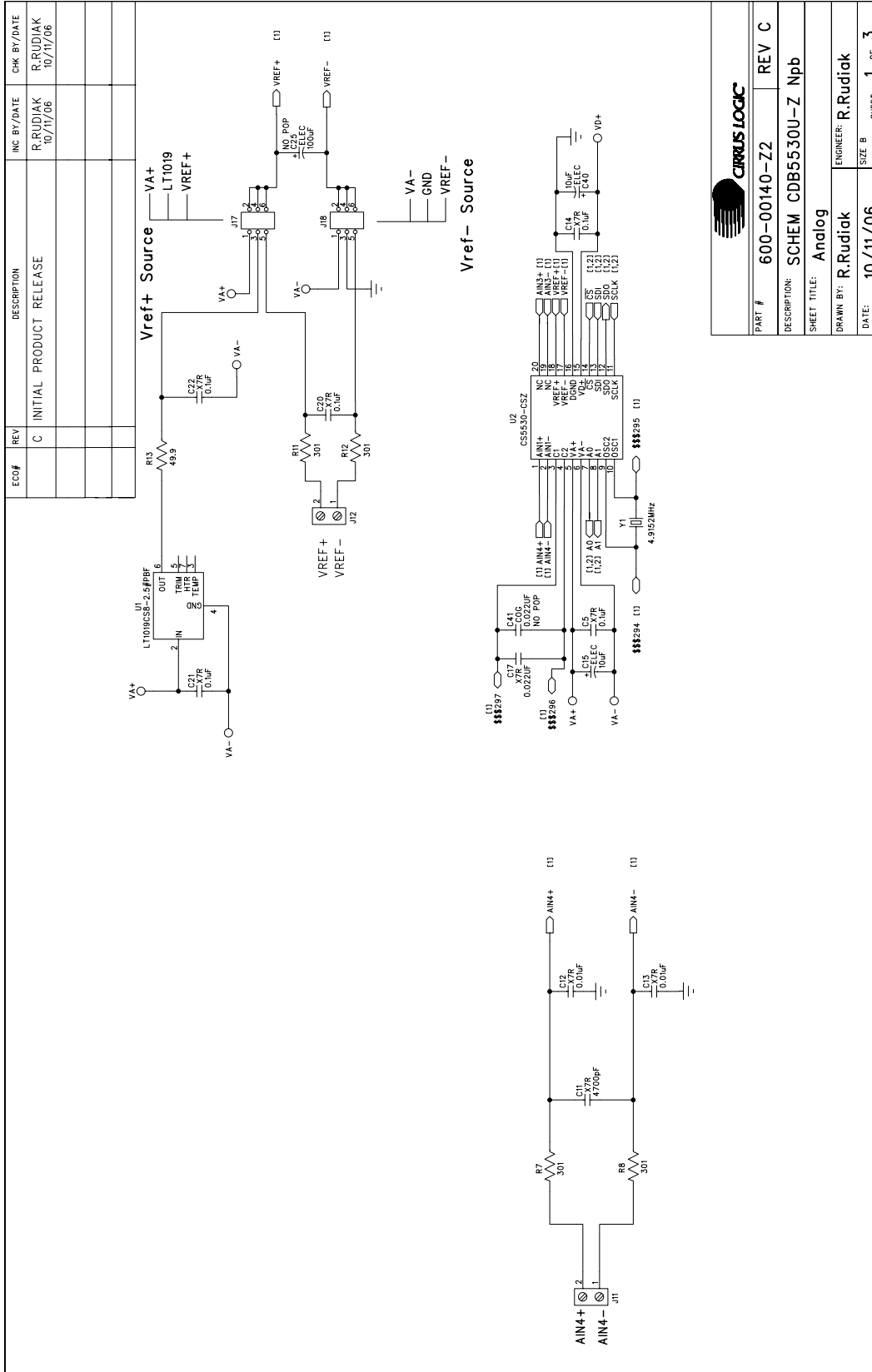
1.2.2 Digital Section

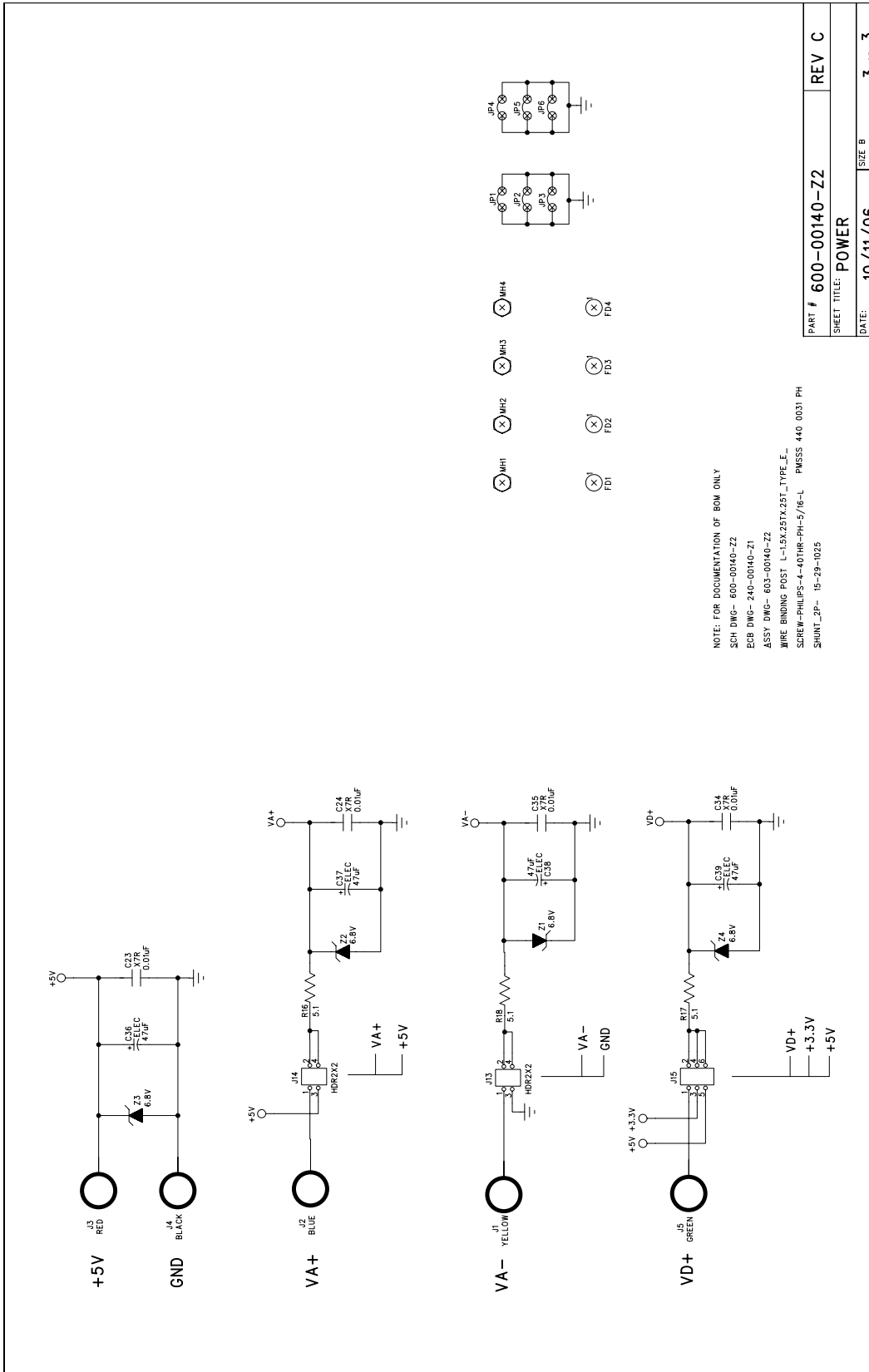
Figure 2 illustrates the schematic of the digital section. It contains the microcontroller, USB interface, EEPROM, JTAG header, reset circuitry, and an external interface header. The microcontroller interfaces the SPI™ and MICROWIRE™ compatible serial port of the CS5530 with the USB connection to the PC. Note that the SCLK and SDI signals are level shifted to support both +3.3 V and +5 V digital operation.

The microcontroller EEPROM is used to store firmware. An external interface header, J19, is provided to allow the CDB5530U to be interfaced with an external microcontroller. To use this serial interface, the 0 ohm resistors R9, R10, R23, and R27 should be removed to disconnect the on-board microcontroller from the serial interface.

1.2.3 Power Supply Section

Figure 3 illustrates the power supply connections to the evaluation board. VA+ supplies the positive analog supply for the CS5530 and the LT1019 reference. Header J14 allows the VA+ supply to be sourced from either the VA+ binding post (J2), or from the +5 V binding post (J3). VA- supplies the negative analog supply for the analog section. Header J13 allows the VA- supply to be sourced from either the VA- binding post (J1), or connected to the board ground. Note that the VA- supply should be connected to ground when powering the CDB5530U from a single +5 V analog supply. VD+ supplies the digital section of the ADC and level shifters. Header J15 allows the VD+ supply to be sourced from the VD+ binding post (J5), the +5 V binding post (J3), or the regulated +3.3 V supply derived from the microcontroller. The +5 V binding post supplies the microcontroller's internal regulator.


Figure 1. Analog Section


Figure 3. Power Supply

2. SOFTWARE

The evaluation board comes with software and a USB cable to link the evaluation board to the PC. The software is designed to run under Windows® 2000 or later.

*Important: **DO NOT** connect the evaluation board to the PC until you have completed the installation procedure and have installed the USB drivers as described below.*

2.1 Installation Procedure

2.1.1 CDB5530U GUI Software Installation Instructions

1. Ensure the CDB5530U USB cable is disconnected from the PC.
2. Open GUI software installation folder *CDB553x_cvidistkit.Eval5534U* ⇒ *Volume1*.
3. Run *SETUP.EXE* by double clicking on the filename.
4. Select *Next, I Accept License Agreement, Next, Next, Finish*.

2.1.2 Installing the USB Drivers

1. Apply power to the CDB5530U. Press and release the Reset switch, S1.
2. Use the included USB cable to connect the CDB5530U to the PC. The PC operating system should automatically launch the *Found New Hardware* wizard.
3. From the installation wizard, select *Install from a list or specific location (Advanced)*. Select *Search for the best driver in these locations*.
4. Select *Include this location in the search*.
5. Click the *Browse...* button.
6. Go to folder *C:/Program Files/Eval5534U/Driver* and click *OK*.
7. Press the *Next* button.
8. A *Hardware Installation* dialog will appear. Press *Continue Anyway*.
9. Select *Browse...* and go to folder *C:/Program Files/Eval5534U/Driver*. Press *Open*.
10. A *Files Needed* dialog will appear. Press *OK*.
11. The *Found New Hardware* wizard will appear. Press the *Finish* button.

2.1.3 Running the GUI

Run the program by selecting *Start* ⇒ *All Programs* ⇒ *Eval5534U* ⇒ *Eval5534_U*.

2.2 Using the Software

Before launching the evaluation program, the user should select the proper jumper settings as described in Section 1.

2.2.1 Start-Up Window

When the evaluation program is launched, the Start-Up window will appear. This window contains information concerning the software's title, revision number, copyright date, etc.

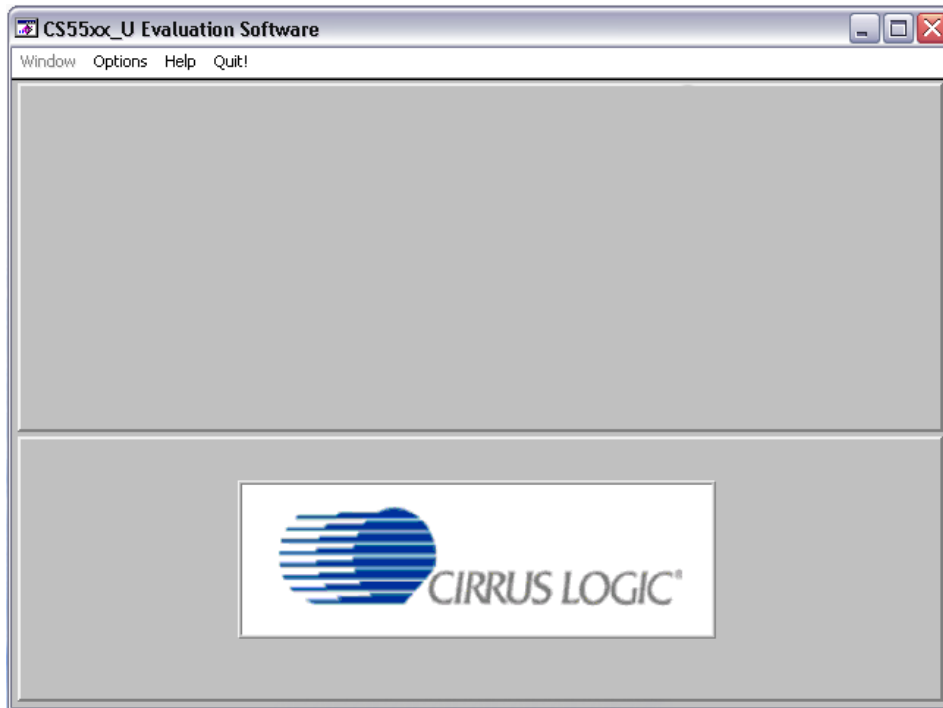


Figure 4. Evaluation Software Start-Up Screen

At the top of the screen is a menu bar which displays user options. The menu bar item *Window* is initially disabled to prevent conflicts with other serial communications devices. After selecting the data source in the *Options* menu, the *Window* menu item will become available.

2.2.1.1 Options

The *Options* menu item allows the user to select the source of the data and to configure the appearance of the graphs. The user has two options for the data source: *USB* and *File*. If the *USB* setup is selected, the evaluation software will be ready to communicate with the CDB5530U via the *USB* connection. At this point, the *Part* menu item is active and the appropriate CS5530U device can be selected. If the *File* source is selected, the evaluation software will prompt the user to select the appropriate data file. This option allows the user to view previously captured data without having a CDB5530U connected to the PC. See [Section 2.5, "Retrieving Saved Data From a File" on page 14](#) for more details.

The *Plot Options* window can be accessed by pulling down the *Options* menu and clicking on *Plot Options*. In this window, the user can change the background color, the plot line color, and the peak indicator color. The harmonic and peak indicators can also be turned on or off in this window.

2.2.1.2 Window

After the user selects the appropriate setup, the *Window* option becomes available in the Start-Up window. The *Window* pull-down has three options: *Start-Up Window*, *Setup Window*, and *Data Collection Window*.

2.2.2 Setup Window

The Setup window allows the user to access the internal registers of the CS5530. See Figure 5.

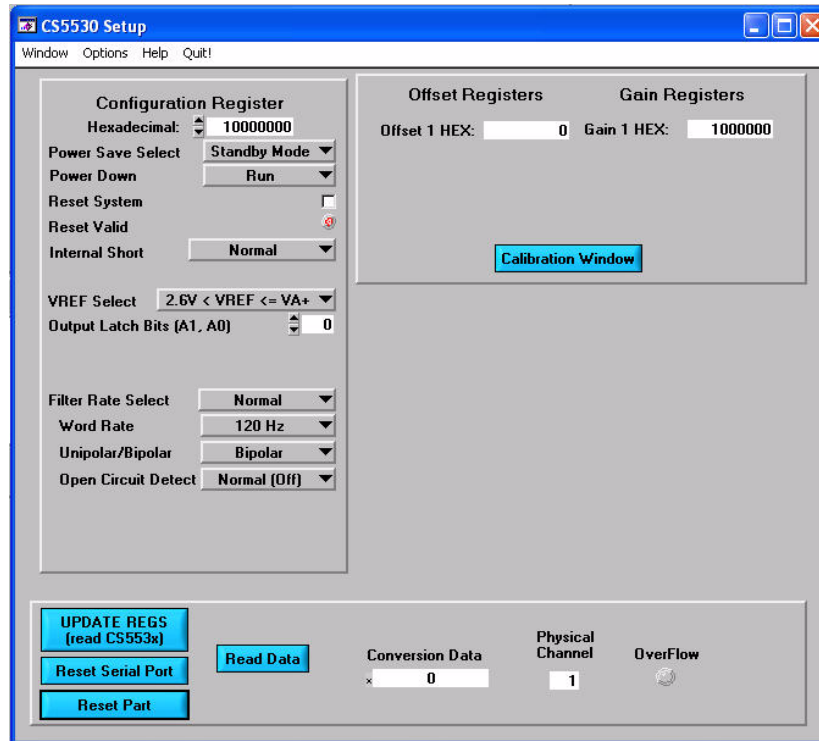


Figure 5. CDB5530U Setup Window

In the Setup window, all of the ADC's registers are displayed as hexadecimal values. The Configuration register's settings are also defined in this window.

Update Registers: The *Update Registers* button will read all the register values from the CS5530 and update the hexadecimal values displayed on the screen. It is a good idea to press the *Update Registers* button when entering the Setup window, or after modifying any registers to reflect the current status of the part.

Reset Serial Port: When this button is pressed, the software will send the synchronization sequence (discussed in the CS5530 data sheet) to the ADC. This sequence brings the CS5530's serial port back to the command mode, but does not reset any of the registers in the part.

Reset Part: When this button is selected, a '1' is written to the RS bit in the Configuration register to reset the part. After a reset, the registers will all return to their default values as discussed in the CS5530 data sheet.

Read Data: This button will instruct the ADC to begin performing repeated single (fully-settled) conversions on the setup channel specified by the *Setup Register* box. The results of the most recent conversion

are displayed in the *Conversion Data* box, as well as the Channel (always “1” for CS5530) and Overflow indicator bits for each conversion. The software will halt the data collection process when the user presses the *Stop* button.

Configuration Register: In the *Configuration Register* box, the contents of the Configuration register are displayed, and can be modified by typing a hexadecimal value in the *Hexadecimal:* box, or by changing any of the values below the *Hexadecimal:* box to the desired settings.

Note: When changing the value of the reset system bit to “1” (RS, bit 29 in the Configuration register), the part will be reset, and all registers will return to their default values. It is a good idea to select the Update Registers button after performing a reset to update the screen with the new register values.

Offset / Gain Registers: In the *Offset Registers / Gain Registers* box, the contents of the offset and gain registers are displayed in hexadecimal. These registers can all be modified in the Calibration window, which is accessed when the user selects the *Calibration Window* button.

Calibration Window: The Calibration window (Figure 6) permits the user to access the calibration registers of the CS5530 and also perform system offset or gain calibrations. Prior to performing calibrations however, the Configuration register should be modified to configure the part for the desired operating mode (see [Section 2.2.4, "Configuration Window" on page 13](#) for more details). Note that offset calibration should be performed before gain calibration to ensure accurate results. Refer to the CS5530 data sheet for more details.

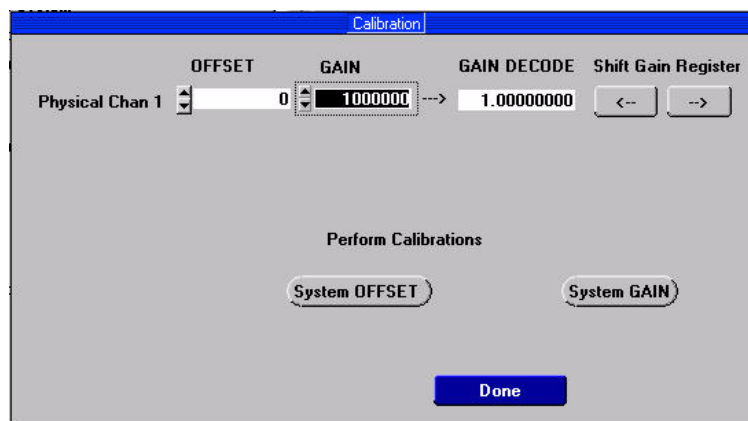


Figure 6. CDB5530U Calibration Window

System Offset Calibrations:

- 1) Attach an input signal to the AIN± inputs that you want to calibrate as zero. Note that the grounded input must be within the common mode range of the amplifier for proper operation.
- 2) Activate the system offset calibration by pressing the *System OFFSET* button.
- 3) When the calibration is complete, the screen will automatically update the offset register with the new value.

System Gain Calibrations:

- 1) Attach a full-scale input to the AIN± inputs of the CDB5530U.
- 2) Activate the system gain calibration by pressing the *System GAIN* button.
- 3) When the calibration is complete, the screen will automatically update the gain register with the new values.

2.2.3 Data Collection Window

The Data Collection window (Figure 7) allows the user to collect sample sets of data from the CS5530 and analyze them using time domain, FFT, and histogram plots. The Data Collection window is accessible through the *Window* option, or by pressing <F3>.

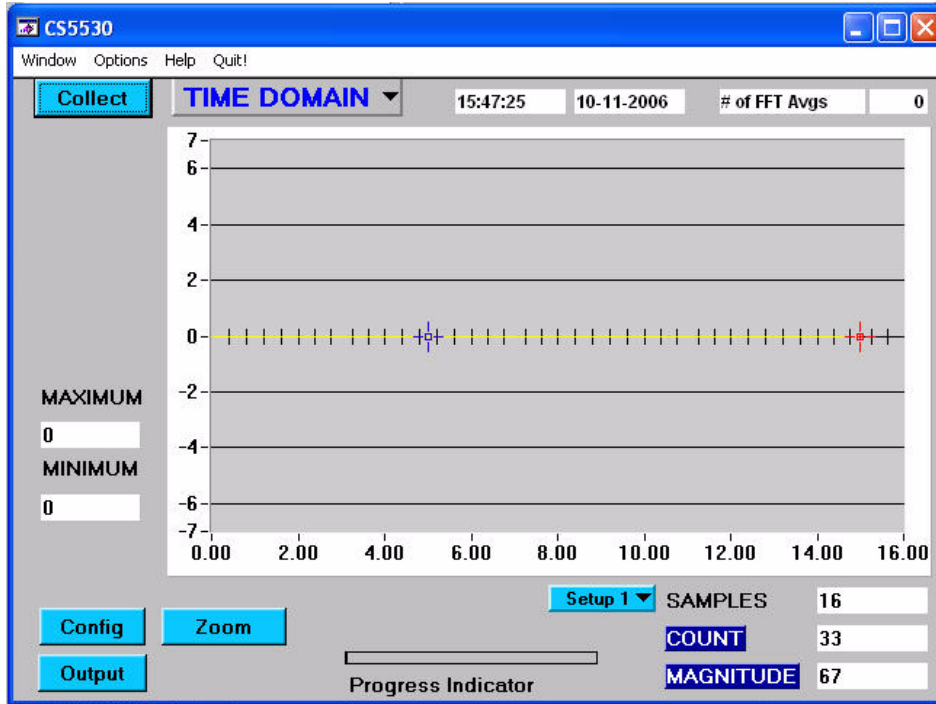


Figure 7. CDB5530U Data Collection Window

Time Domain / FFT / Histogram Selector: This menu selects the type of data processing to perform on the collected data and display in the plot area. Refer to [Section 2.6, "Analyzing Data" on page 14](#) for more information.

Collect Button: This button will collect data from the part, to be analyzed in the plot area. See [Section 2.3, "Collecting Data Sets" on page 14](#) for more information.

Config Button: This button will bring up the Configuration window, in which the user can modify the data collection specifications. See [Section 2.2.4, "Configuration Window" on page 13](#).

Output Button: This button will bring up a window in which the user can output the data to a data file for later use, print out a plot, or print out the entire screen.

Zoom Button: This button allows the user to zoom in on the plot by selecting two points in the plot area. Press the *Restore* button to return to the normal data plot, or press the *Zoom* button again to zoom in even further.

Setup Select Box: This box does not apply to the CS5530 as this device does not contain a Setup register.

2.2.4 Configuration Window

The Configuration window allows the user to set up the data collection and analysis parameters. See Figure 8.

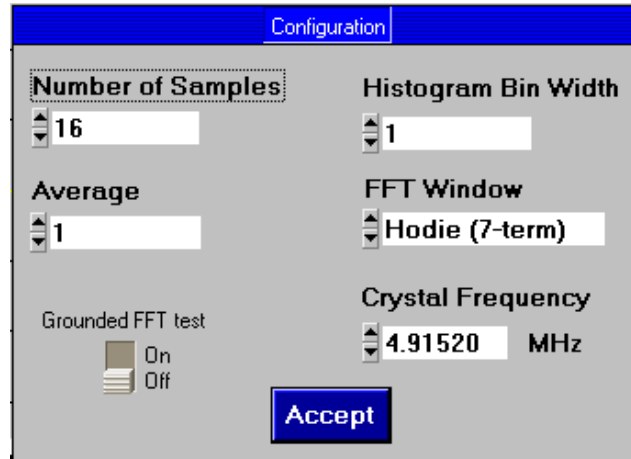


Figure 8. CDB5530U Configuration Window

Number of Samples: This box allows the user to select the number of samples to collect, between 16 and 32,768.

Average: When doing FFT processing, this box will determine the number of FFTs to average. FFTs will be collected and averaged when the *Collect* button is pressed.

FFT Window: This box allows the user to select the type of windowing algorithm for FFT processing. Windowing algorithms include the *Blackman*, *Blackman-Harris*, *Hanning*, *5-term Hodie*, and *7-term Hodie*. The 5-term Hodie and 7-term Hodie are windowing algorithms developed by Cirrus Logic. This selection has no effect on Time Domain or Histogram analysis.

Histogram Bin Width: This box allows for a variable "bin width" when plotting histograms of the collected data. Each vertical bar in the histogram plot will contain the number of output codes contained in this box. Increasing this number may allow the user to view histograms with larger input ranges.

Crystal Frequency: The CDB5530U evaluation board comes equipped with a 4.9152 MHz crystal. If the user chooses to replace this with a crystal of a different frequency, the number in this box can be modified to provide more accurate timing and FFT information.

Grounded FFT Test: When turned on, this function will generate an ideal full-scale sine wave for calculation purposes. This will enable the software to calculate the signal-to-distortion and signal-to-noise of the converter with a simulated ideal full-scale sine wave source, although the converter is grounded.

Accept: When this button is selected, the current settings will be saved, and the user will return to the Data Collection window.

2.3 Collecting Data Sets

To collect a sample data set:

- 1) In the Data Collection window, select the *Config* button to bring up the Configuration window and view the current settings.
- 2) Select the appropriate settings from the available options (see [Section 2.2.4, "Configuration Window" on page 13](#)) and press the *Accept* button.
- 3) The Data Collection window should still be visible. In the *Setup* box, select the Setup number you want to use to perform conversions.
- 4) Select the *Collect* button to begin collecting data.
- 5) Data is sent directly to the PC through the USB cable. Depending on the value of the WR bits in the selected Setup and the number of samples being collected, this process may take several minutes. The process can be terminated by pressing the *Stop* button, but if this is done, the user should also press *Reset* on the CDB5530U board to bring the microcontroller out of the collection routines.
- 6) Once the data has been collected, it can be analyzed, printed, or saved to disk.

2.4 Saving and Printing Data

Once collected, data can be printed or saved to a file for later use. To save or print data, click on the *Output* button in the Data Collection window. A small panel will pop up with three options:

- 1) *Output Data File*: Brings up the *File Save* dialog box, which allows the data to be saved to a file.
- 2) *Print Screen*: Prints the entire display, including the calculated statistics.
- 3) *Print Graph*: Prints the information in the plot area. The statistical information is not printed.

2.5 Retrieving Saved Data From a File

To load a previously saved file:

- 1) Pull down the *Setup* option and select *Disk*. A file menu will appear.
- 2) Find the data file in the list and select it. Press the *Select* button to return.
- 3) Go to the Data Collection window, and press the *Collect* button.
- 4) The data from the file should appear on the screen. To select a different file, repeat the procedure.

2.6 Analyzing Data

The evaluation software provides three types of analysis - *Time Domain*, *Frequency Domain*, and *Histogram*. The Time Domain analysis processes acquired conversions to produce a plot of conversion sample number versus magnitude. The Frequency Domain analysis processes acquired conversions to produce a magnitude-versus-frequency plot using the Fast-Fourier transform (results up to $F_s/2$ are calculated and plotted). Also, performance parameters are also calculated and displayed. The Histogram analysis processes acquired conversions to produce a histogram plot. Statistical noise calculations are also calculated and displayed. For more information on Histograms, refer to Application Note [AN37, "Noise Histogram Analysis"](#).

2.7 Histogram Information

The following is a description of the indicators associated with histogram analysis. Histograms can be plotted in the Data Collection window by setting the *Time Domain / FFT / Histogram* selector to *Histogram*.

BIN: Displays the x-axis value of the cursor on the histogram.

MAGNITUDE: Displays the y-axis value of the cursor on the histogram.

MAXIMUM: Indicator for the maximum value of the collected data set.

MEAN: Indicator for the average of the data sample set.

MINIMUM: Indicator for the minimum value of the collected data set.

STD. DEV.: Indicator for the standard deviation of the collected data set.

VARIANCE: Indicates the variance for the current data set.

2.8 Frequency Domain Information

The following describe the indicators associated with FFT (Fast Fourier Transform) analysis. FFT data can be plotted in the Data Collection window by setting the *Time Domain / FFT / Histogram* selector to *FFT*.

FREQUENCY: Displays the x-axis value of the cursor on the FFT display.

MAGNITUDE: Displays the y-axis value of the cursor on the FFT display.

S/D: Indicator for the signal-to-distortion ratio (dB). Four harmonics are used in the calculations.

S/N+D: Indicator for the signal-to-noise + distortion ratio (dB).

SNR: Indicator for the signal-to-noise ratio (dB). First four harmonics are not included.

S/PN: Indicator for the signal-to-peak noise ratio (dB).

of AVG: Displays the number of FFTs averaged in the current display.

2.9 Time Domain Information

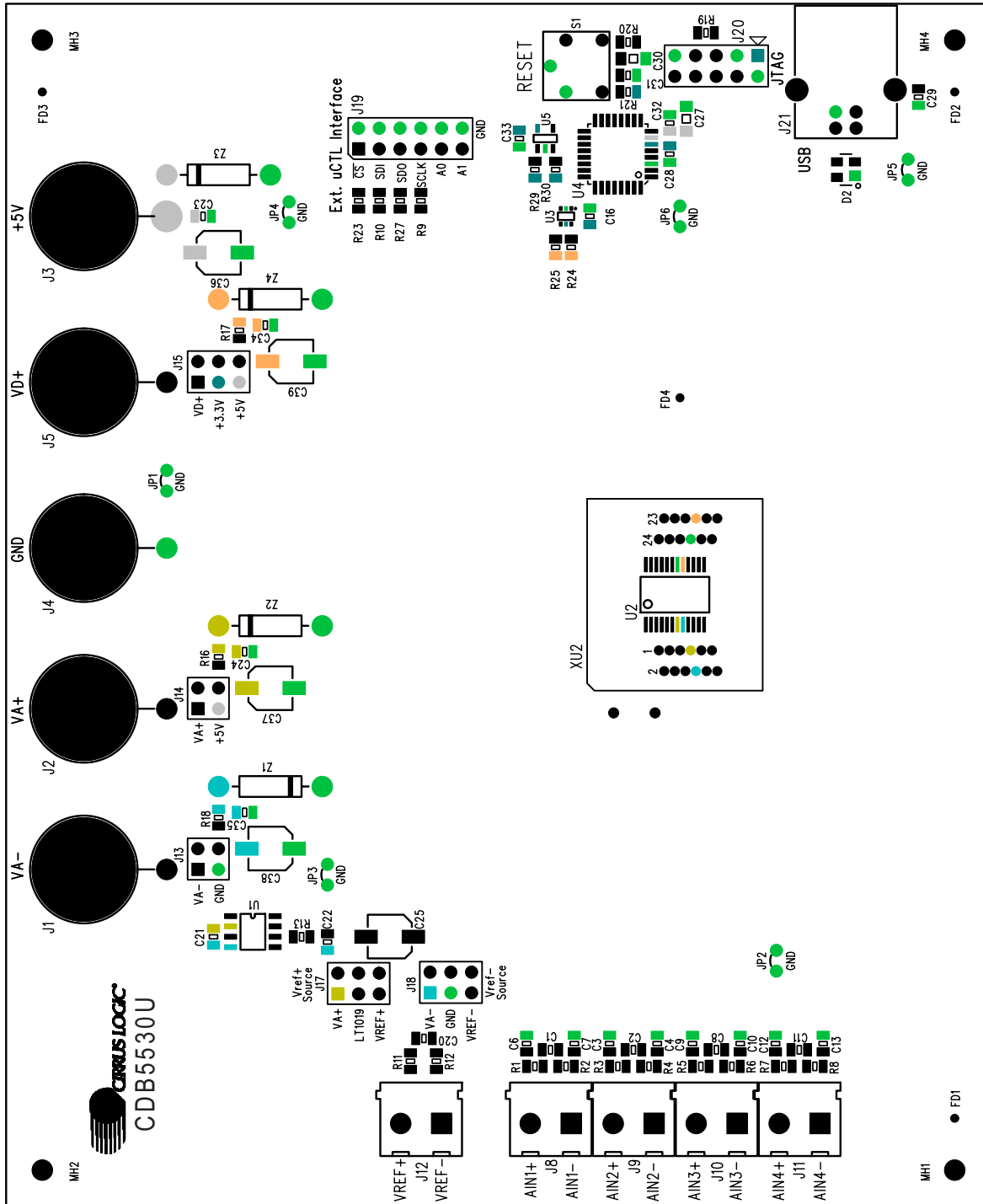
The following controls and indicators are associated with time domain analysis. Time domain data can be plotted in the Data Collection window by setting the *Time Domain / FFT / Histogram* selector to *Time Domain*.

COUNT: Displays current x-position of the cursor on the time domain display.

MAGNITUDE: Displays current y-position of the cursor on the time domain display.

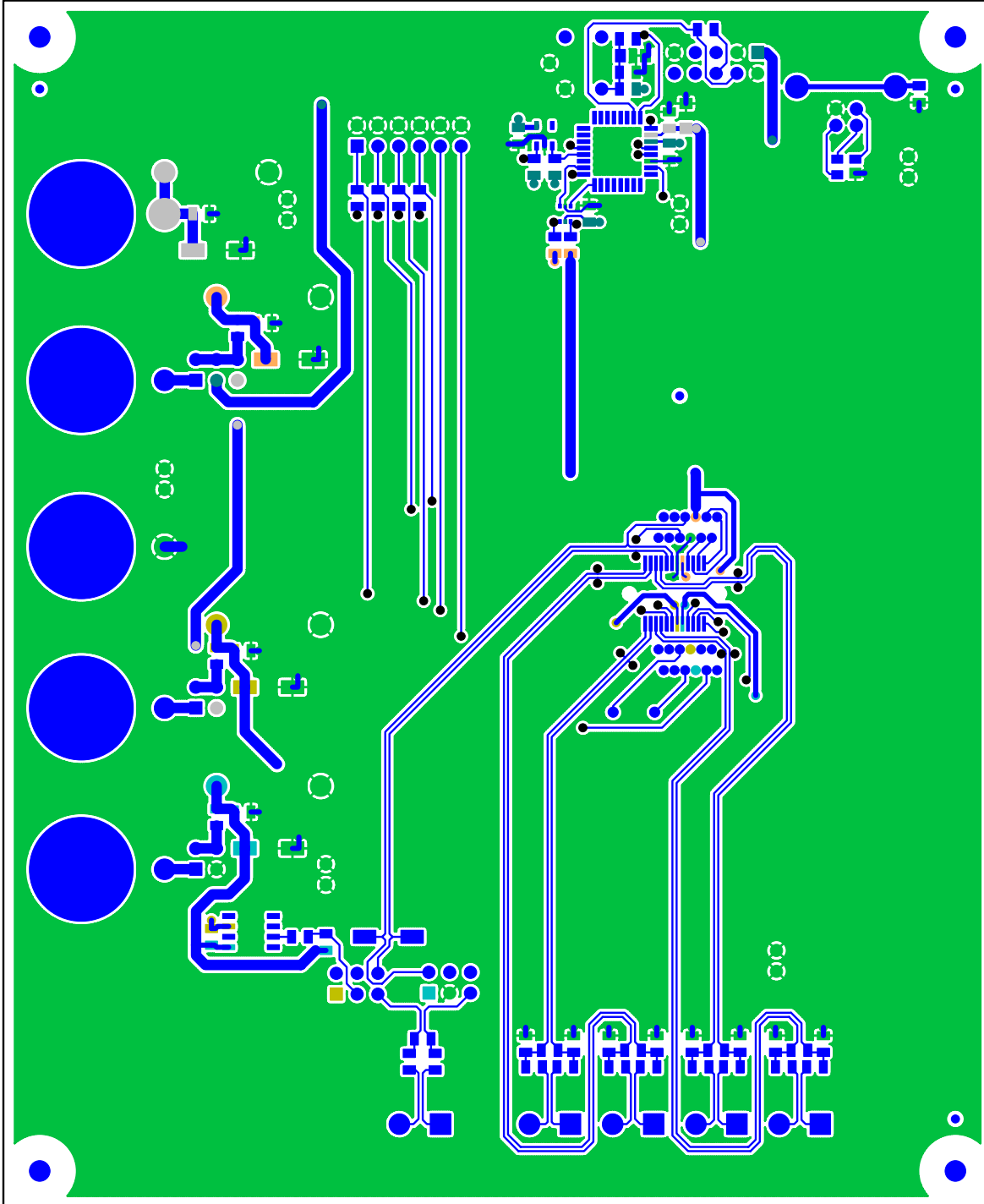
MAXIMUM: Indicator for the maximum value of the collected data set.

MINIMUM: Indicator for the minimum value of the collected data set.

3. BOARD LAYOUT


CIRRUS LOGIC PCB 240-00140-01 Rev B

Figure 10. Top Silkscreen



CIRRUS LOGIC PCB 240-00140-01 Rev B

Figure 11. Top Side Layout

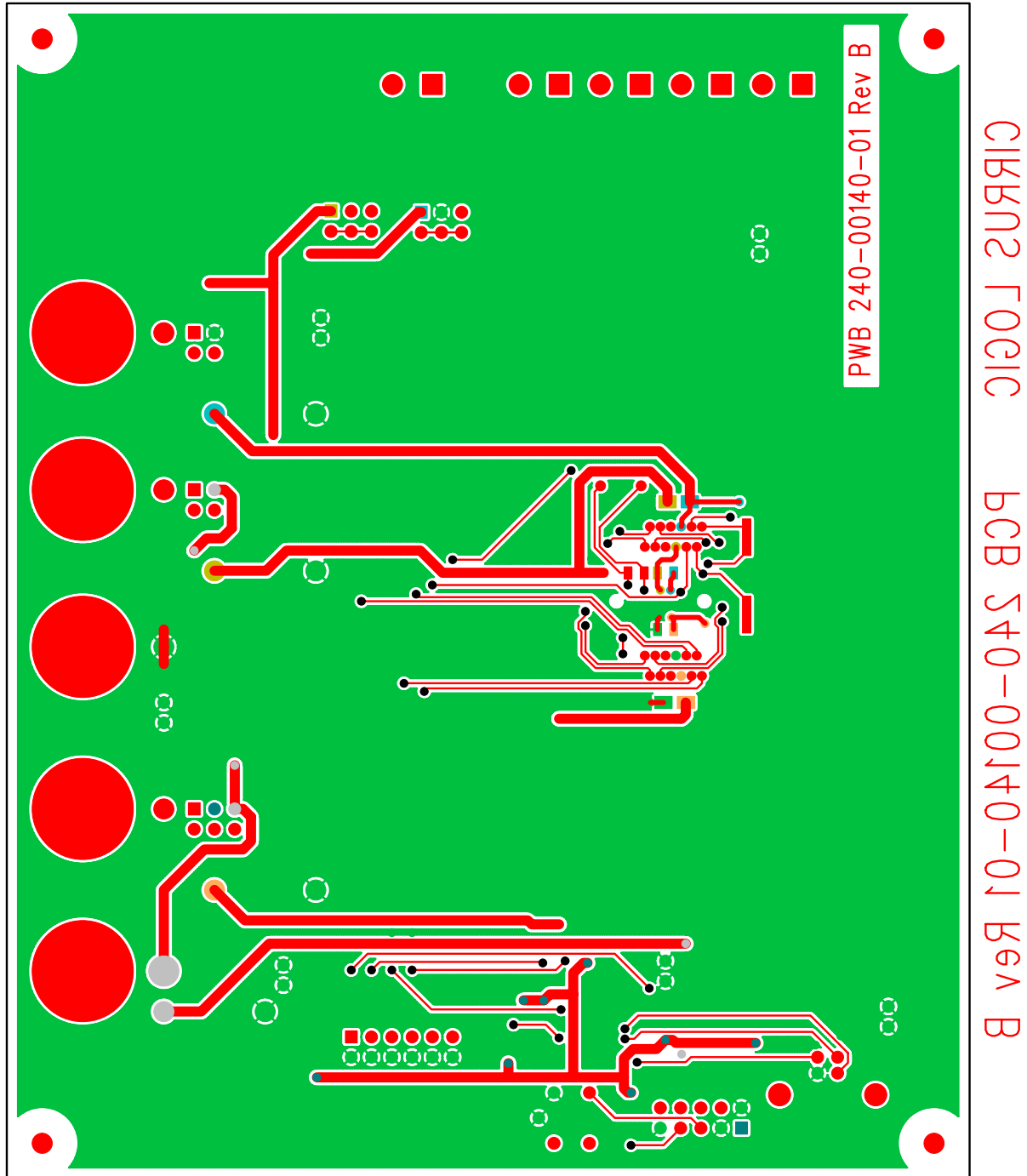


Figure 12. Bottom Side Layout

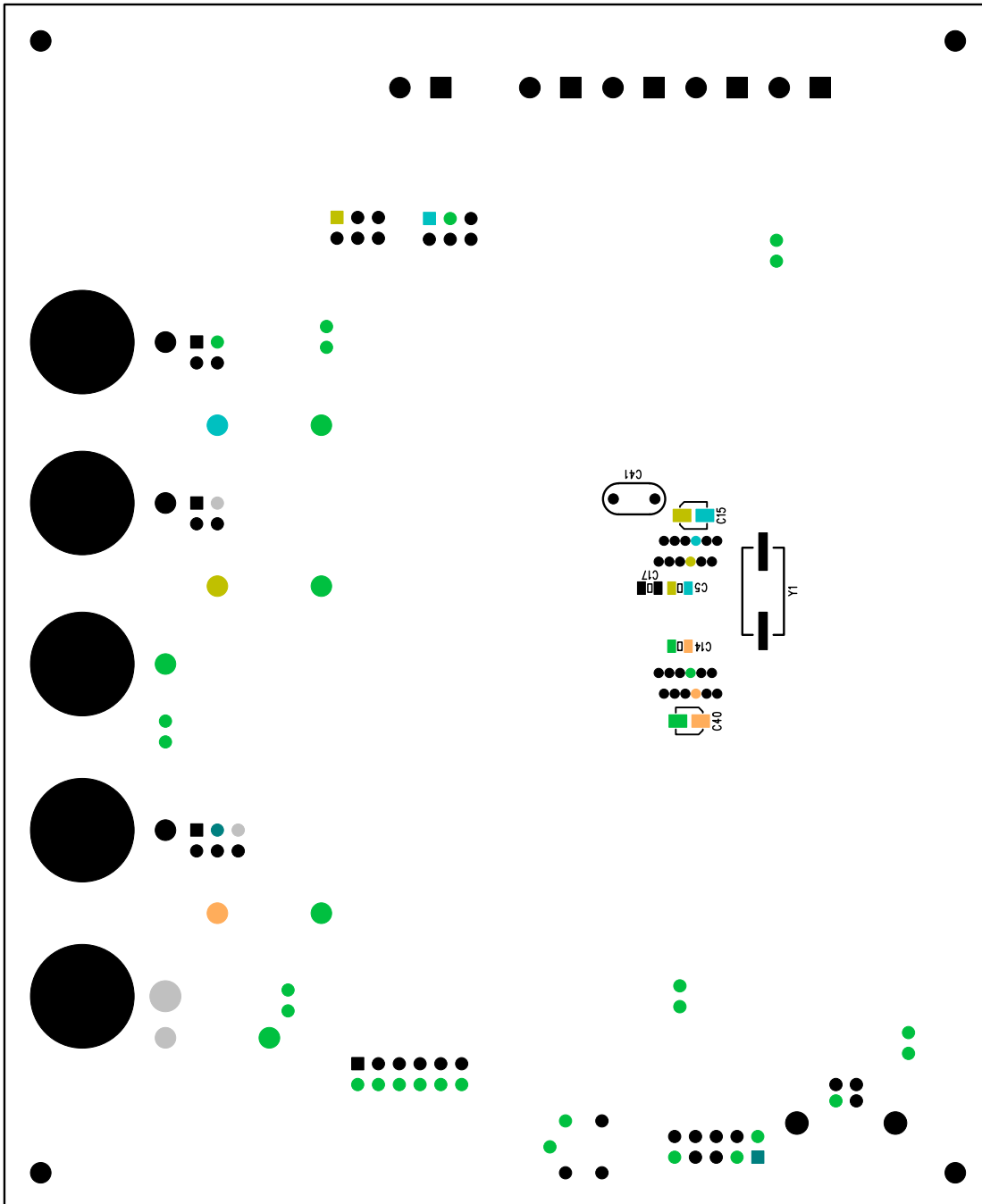


Figure 13. Bottom Silkscreen

Contacting Cirrus Logic Support

For all product questions and inquiries contact a Cirrus Logic Sales Representative.

To find the one nearest to you go to www.cirrus.com

IMPORTANT NOTICE

Cirrus Logic, Inc. and its subsidiaries ("Cirrus") believe that the information contained in this document is accurate and reliable. However, the information is subject to change without notice and is provided "AS IS" without warranty of any kind (express or implied). Customers are advised to obtain the latest version of relevant information to verify, before placing orders, that information being relied on is current and complete. All products are sold subject to the terms and conditions of sale supplied at the time of order acknowledgment, including those pertaining to warranty, indemnification, and limitation of liability. No responsibility is assumed by Cirrus for the use of this information, including use of this information as the basis for manufacture or sale of any items, or for infringement of patents or other rights of third parties. This document is the property of Cirrus and by furnishing this information, Cirrus grants no license, express or implied under any patents, mask work rights, copyrights, trademarks, trade secrets or other intellectual property rights. Cirrus owns the copyrights associated with the information contained herein and gives consent for copies to be made of the information only for use within your organization with respect to Cirrus integrated circuits or other products of Cirrus. This consent does not extend to other copying such as copying for general distribution, advertising or promotional purposes, or for creating any work for resale.

CERTAIN APPLICATIONS USING SEMICONDUCTOR PRODUCTS MAY INVOLVE POTENTIAL RISKS OF DEATH, PERSONAL INJURY, OR SEVERE PROPERTY OR ENVIRONMENTAL DAMAGE ("CRITICAL APPLICATIONS"). CIRRUS PRODUCTS ARE NOT DESIGNED, AUTHORIZED OR WARRANTED FOR USE IN AIRCRAFT SYSTEMS, MILITARY APPLICATIONS, PRODUCTS SURGICALLY IMPLANTED INTO THE BODY, AUTOMOTIVE SAFETY OR SECURITY DEVICES, LIFE SUPPORT PRODUCTS OR OTHER CRITICAL APPLICATIONS. INCLUSION OF CIRRUS PRODUCTS IN SUCH APPLICATIONS IS UNDERSTOOD TO BE FULLY AT THE CUSTOMER'S RISK AND CIRRUS DISCLAIMS AND MAKES NO WARRANTY, EXPRESS, STATUTORY OR IMPLIED, INCLUDING THE IMPLIED WARRANTIES OF MERCHANTABILITY AND FITNESS FOR PARTICULAR PURPOSE, WITH REGARD TO ANY CIRRUS PRODUCT THAT IS USED IN SUCH A MANNER. IF THE CUSTOMER OR CUSTOMER'S CUSTOMER USES OR PERMITS THE USE OF CIRRUS PRODUCTS IN CRITICAL APPLICATIONS, CUSTOMER AGREES, BY SUCH USE, TO FULLY INDEMNIFY CIRRUS, ITS OFFICERS, DIRECTORS, EMPLOYEES, DISTRIBUTORS AND OTHER AGENTS FROM ANY AND ALL LIABILITY, INCLUDING ATTORNEYS' FEES AND COSTS, THAT MAY RESULT FROM OR ARISE IN CONNECTION WITH THESE USES.

Cirrus Logic, Cirrus, and the Cirrus Logic logo designs are trademarks of Cirrus Logic, Inc. All other brand and product names in this document may be trademarks or service marks of their respective owners.

Windows is a registered trademark of Microsoft Corporation.

SPI is a trademark of Motorola, Inc.

Microwire is a trademark of National Semiconductor Corporation.

IBM is a registered trademark of International Business Machines Corporation.